



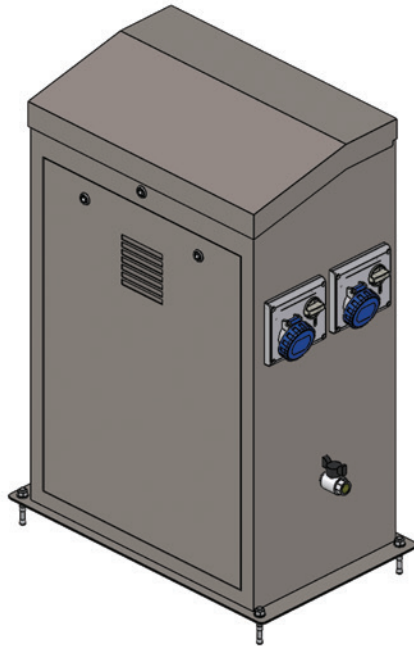
HARBORS & MARINA LINE

HARBOR

SUPPLY BOLLARDS

FOR DISTRIBUTION
OF ENERGY AND SERVICES

HARBOR



MECHANICAL SPECS

Urban Technology by New VMR S.r.l. supply unit **HARBOR** the Harbors & Marina line for the distribution of energy power and services is entirely made of AISI304 stainless steel (AISI316L on demand and if installed in sea areas).

External fastening system and IK10 impact resistance.

Painted standard colour micaceous iron grey (or special RAL colour with gloss or mat finish on demand and extra charge).

Dimensions **L550 x h860mm**

or dimensions suggested by New VMR staff
to a specific equipment (tailor-made dimension on demand).

ELECTRICAL SPECS

230V/400V tension e frequency between 50/60hz, according to regulation EN 60947-1 and EN 61439. Socket protection is standard grade IP44 (IP67 protection grade for the sockets only on demand; IP67 protection grade may need to change the dimensions of the unit).

Electrical equipment containment box with IP 66 protection IEC 60 529 and CE70-1 double insulation in thermoplastic material free of halogen self-extinguishing halogen, painted gray RAL 7035 resistant to abnormal heat and fire up to 650 ° (incandescent wire test according to IEC 60 695-2 -1).

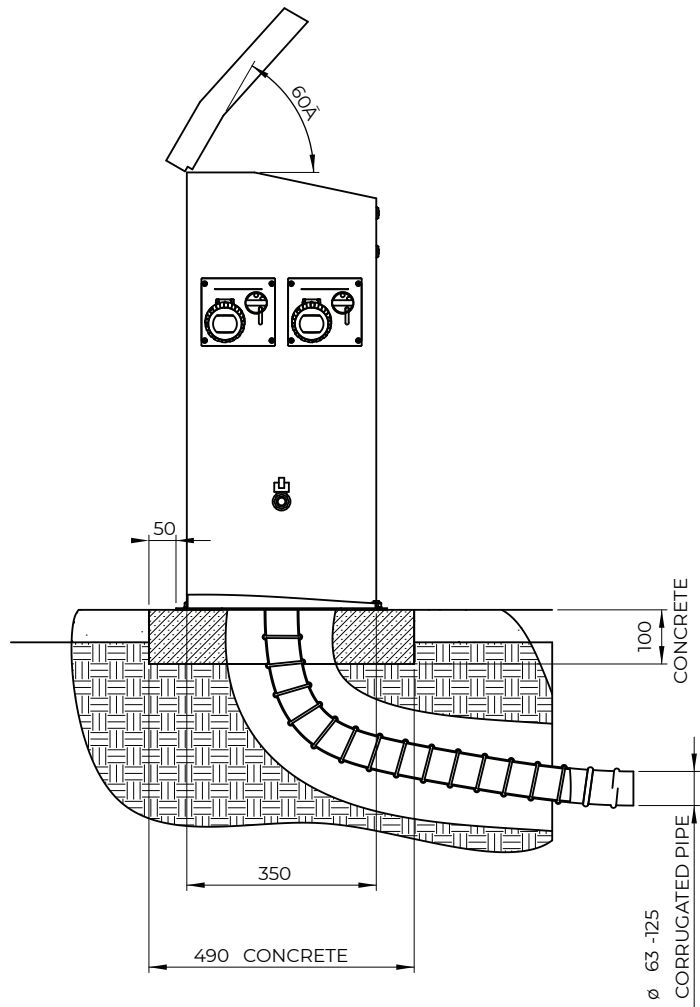
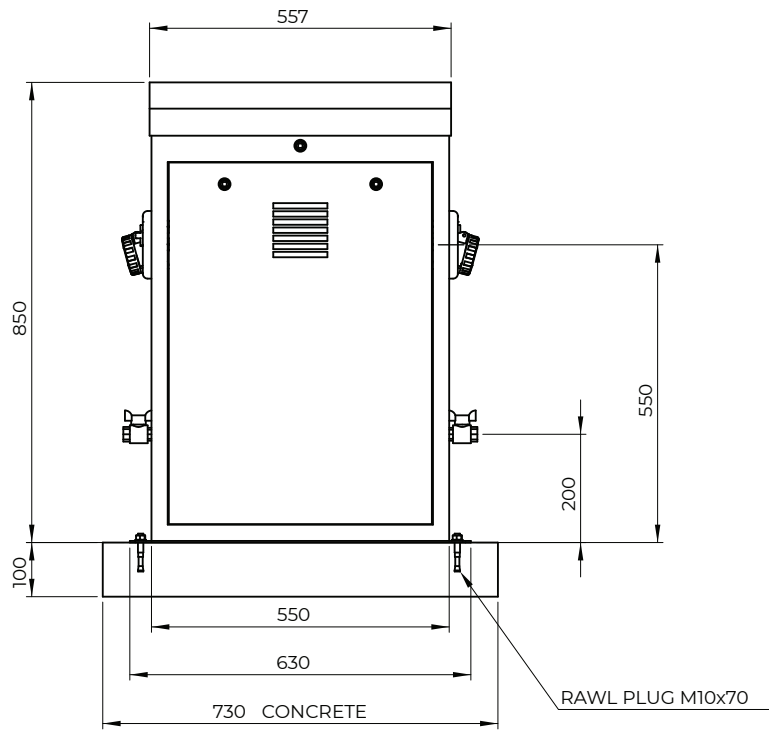
Elastomer sealing gaskets for dimensional stability in continuous operation from -20 ° to + 85 °.

Resistance to chemical agents (water, saline solutions, acids, bases and oils)

and atmospheric agents. Reference standards: CEI 23-48 and IEC 60 670.

This system is suitable for manufacturing equipment and for places with a higher risk of fire (IEC 64-8 / 7).

Technical drawing (example)



GENERAL TECHNICAL DETAILS

STRUCTURE

Impact resistance IK10

Structure made of AISI304 stainless steel

Structure made of AISI316L stainless steel for waterfronts in sea areas

CONNECTION SYSTEM

Direct connection to its terminal block

ELECTRICAL SPECS

Voltage 230V/400V

Frequency from 50hz to 60hz

Standard protection IP44 (IP67 on demand)

Regulation EN 60947-1 and EN 61439

ADDITIONAL EQUIPMENT

LED lighting diffusor system

Compressed air outlets

Audio / video connectors

RJ-data / video / telephone jacks

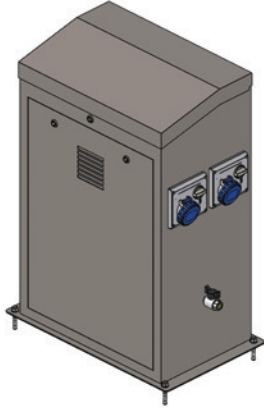
Water outlets / valves 1/2" or 3/4"

Energy consumption meters

Water consumption meters

Prepaid system with rechargeable BADGE cards

HARBOUR



SUITABLE FOR
waterfronts and harbors

HARBOUR - A *

04 2P+E 16A CEE sockets
04 RCBOs 1P+N 16A 0,03 6KA

HARBOUR - B *

04 2P+E 16A interlocked sockets
04 RCBOs 1P+N 16A 0,03 6KA

HARBOUR - C *

02 2P+E 16A CEE sockets
02 RCBOs 1P+N 16A 0,03 6KA
02 3P+N+E 16A CEE sockets
02 RCBOs 4x16A 0,03 6ka

HARBOUR - D *

02 2P+E 16A interlocked sockets
02 RCBOs 1P+N 16A 0,03 6KA
02 3P+N+E 16A interlocked sockets
02 RCBOs 4x16A 0,03 6ka

HARBOUR - E *

02 2P+E 16A CEE sockets
02 RCBOs 1P+N 16A 0,03 6KA
02 3P+N+E 32A CEE sockets
02 RCBOs 4x32A 0,03 6ka

HARBOUR - F *

02 2P+E 16A interlocked sockets
02 RCBOs 1P+N 16A 0,03 6KA
02 3P+N+E 32A interlocked sockets
02 RCBOs 4x32A 0,03 6ka

OPTIONAL ACCESSORIES

* 01 or 02 ball valves 1/2"
for water or compressed air
01 LED lighting kit



WWW.VMRSRL.COM

NEW VMR S.R.L.

VIA LARIO 31, 22060 CANTÙ (CO) ITALY

+39 031 704673 | 031 7090081

INFO@VMRSRL.COM

P.IVA 03230340139